



Optical nodes

Optical nodes

- electronic setting of all parameters
- AGC based on optical input level
- plug-in return path optical transmitter with integrated data transmitter for remote monitoring subsystem "MasterWatch"
- digital indication of optical input level and other parameters on built-in LED display
- possibility to control node parameters by HMS transponder



| Technical specifications | | TYPE | |
|---|-----------------|--|------------------------|
| | | OD200 | OD200P |
| Ordering number | | 02816 | 02817 |
| Optical wavelength | | 1100-1600 nm | |
| Optical input level (AGC range) | | -7... 2 dBm | |
| Noise current density | | max. 8.0 pA/√Hz | |
| Frequency range* | | 47/75/87-862 MHz | |
| Return path* | | 5-30/55/65 MHz | |
| Impedance | | 75 Ω | |
| Return loss | | 18 dB/40 MHz-1.5 dB/oct | |
| Frequency response | | ± 0.75 dB | |
| Output level (AGC controlled, 4.9% OMI) | | 114 dBμV | |
| Output level CTB (EN50083-3)** | | 112 dBμV (42 ch.) | |
| Output level CSO (EN50083-3)** | | 113 dBμV (42 ch.) | |
| Interstage attenuator | | pr. | 0-10 dB by 0.5 dB step |
| Interstage equalizer | | pr. | 0-10 dB by 0.5 dB step |
| Return path attenuator | | pr. | 0-25 dB by 1 dB step |
| Return path ingress switch | | pr. | 0/-6/-<-50 dB |
| Reverse loss (from output to reverse transmitter) | | max. 6.0 dB | |
| Mains voltage, 50 Hz | | 24-65 V~ | 187-250 V~ |
| Power consumption, max. | | 26 W | 23 W |
| Current consumption | 24 V AC | 1.7 A | - |
| | 42 V AC | 0.95 A | - |
| | 65 V AC | 0.6 A | - |
| Maximal AC pass current | | 7 A | |
| Loss in internal output test point | | -20 ± 0.5 dB | |
| Loss in internal reverse path test point | | -20 ± 0.5 dB | |
| Return path signal injection point | loss | - 30 dB | |
| | frequency range | 5-200 MHz | |
| Optical connectors | | SC/APC | |
| Output connectors | | PG11 | |
| Test point connectors | | F | |
| Hum modulation distance (7 A) | | min. 65 dB | |
| Enclosure category | | IP 64 | |
| Operating temperature range | | -20° ÷ + 50° C | |
| Dimensions/Weight (packed) | | 229x159x120 mm (main body); 269x159x120 mm (with fixing ears)/3.2 kg | |

* frequency range depends on inserted plug-in diplexer

** output level (CTB, CSO) is measured with 6 dB interstage equalizer

pr. software control

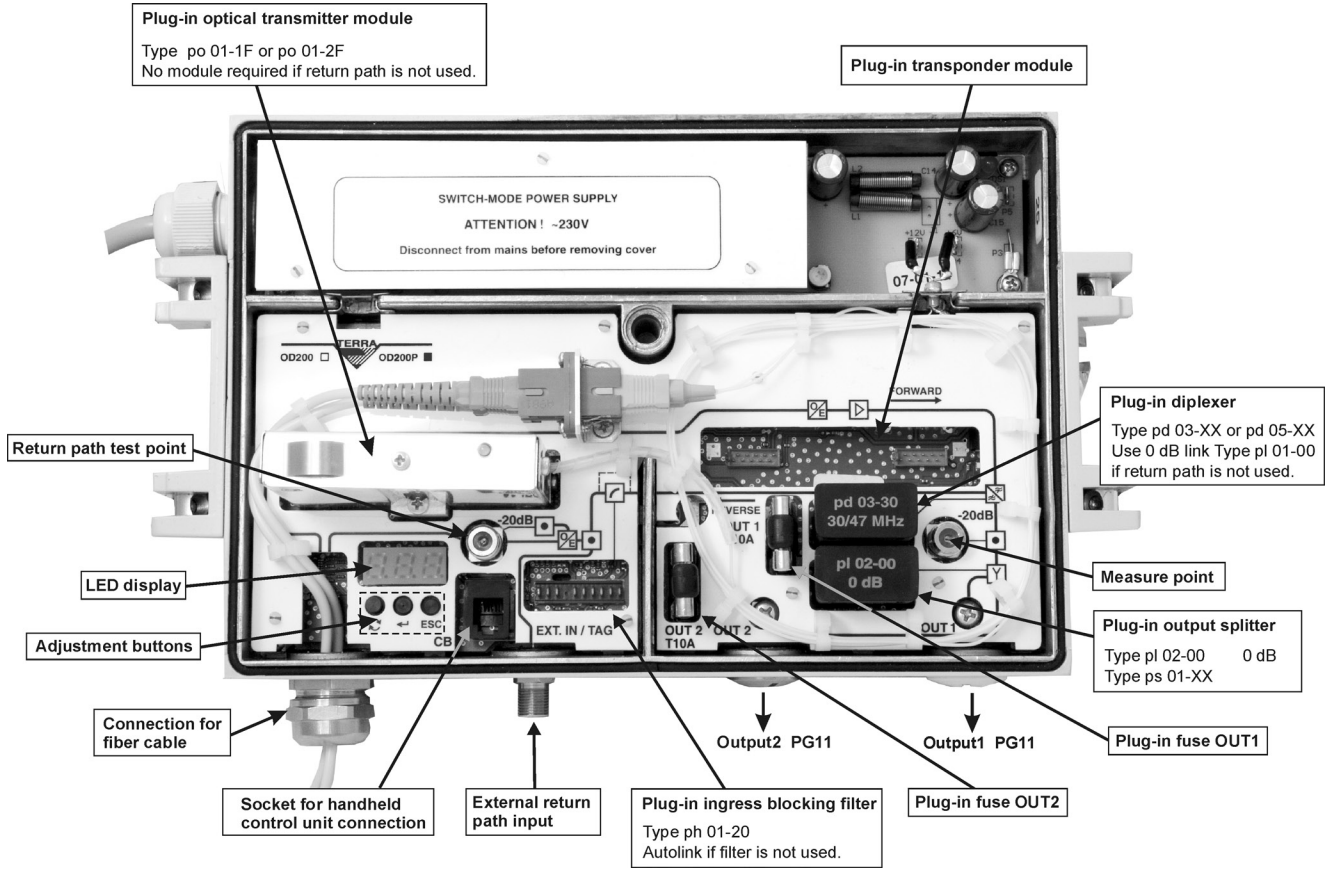
Remotely monitored parameters using monitoring subsystem "MasterWatch":

- internal DC powering voltages
- current consumption
- temperature
- input optical level
- AC remote powering voltage
- status of external access sensor
- bias current of laser diode

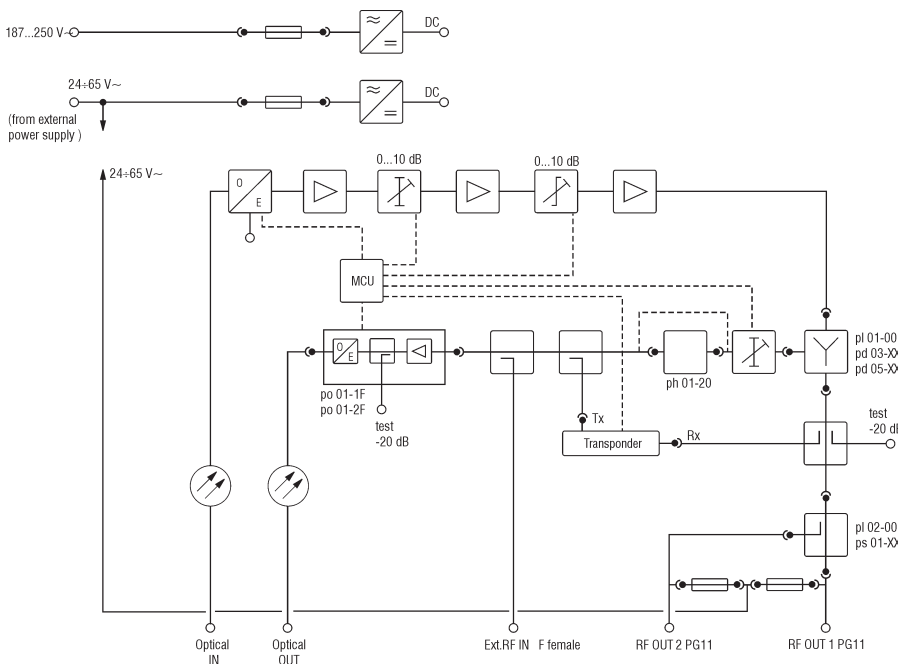


Optical nodes

Optical nodes



Structure diagram



Ordering notes

| | | |
|--------------------|--------------------------------|----------|
| Band | no return path | pl 01-00 |
| | 30/47 MHz | pd 05-30 |
| | 55/75 MHz | pd 05-55 |
| | 65/87 MHz | pd 05-65 |
| Output | 0 dB output1/no output 2 | pl 02-00 |
| | 3.5 dB output1/3.5 dB output 2 | ps 01-03 |
| | 2.0 dB output1/6.0 dB output 2 | ps 01-06 |
| | 1.5 dB output1/10 dB output 2 | ps 01-10 |
| | 1.0 dB output1/14 dB output 2 | ps 01-14 |
| | 0.5 dB output1/18 dB output 2 | ps 01-18 |
| Return path | 1 mW Tx | po 01-1F |
| | 2 mW Tx | po 01-2F |
| | 20 MHz RP band | pl 01-20 |
| | | pl 01-20 |