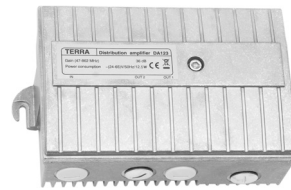




Distribution amplifiers

Line distribution amplifiers

- GaAs push-pull technology
- flexibility provided by plug-in return path diplexers
- plug-in interstage attenuator and equalizer for improving amplifier performance
- plug-in inverse equalizer
- weatherproof and RF-screened die-cast housing
- switch-mode power supply unit
- possibility to inject supply voltage for remote powering (DA1XX)
- transient protection at inputs and outputs



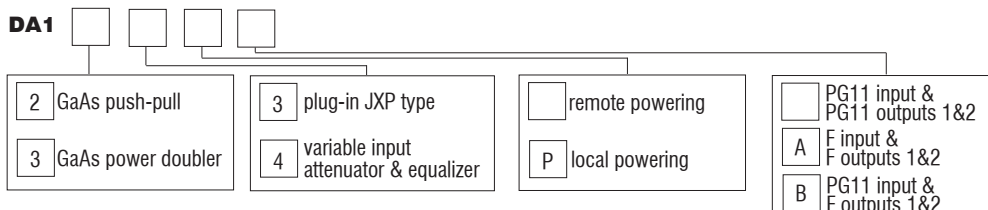
Technical specifications		DA12X	DA12XP	DA13X	DA13XP
T Y P E					
Frequency range*		47/75/87-862 MHz			
Return path*		5-30/55/65 MHz			
Input and output impedance		75 Ω			
Gain, 20°C		36 dB			
Flatness		± 0.75 dB			
Input and output return loss		18 dB/40 MHz-1.5 dB/octave			
Input attenuator		0-18 dB			
Input cable equalizer		0-18 dB			
Inverse cable equalizer		0-9 dB in 1 dB step			
Noise figure		max. 6 dB			
Output level CTB (EN50083-3)**		108 dBμV (42 ch.)		111 dBμV (42 ch.)	
Output level CSO (EN50083-3)**		110 dBμV (42 ch.)		112 dBμV (42 ch.)	
Mains voltage		24÷65 V~ 50 Hz	187-250 V~ 50 Hz	24÷65 V~ 50 Hz	187-250 V~ 50 Hz
Power consumption		max. 12.5 W	max. 11 W	max. 15.5 W	max. 13.5 W
Current consumption	24 V AC	0.77 A	-	0.94 A	-
	42 V AC	0.49 A	-	0.59 A	-
	65 V AC	0.36 A	-	0.43 A	-
Maximal AC pass current		4 A			
Loss in internal input test point (bi-directional)		-20 ± 2.0 dB			
Loss in internal output test point (directional)		-20 ± 0.5 dB			
Input and outputs connectors***		PG11 or F			
Test point connectors		F			
Hum modulation distance (4 A)		min. 65 dB			
Operating temperature range		-20° ÷ + 50° C			
Dimensions/Weight (packed)		180x125x76 mm (main body); 213x125x76 mm (with fixing ears)/1.4 kg			

* frequency range depends on inserted plug-in diplexer

** output level (CTB, CSO) is measured with 6 dB interstage equalizer

*** the amplifier is available with input or output connectors PG11 thread or F female

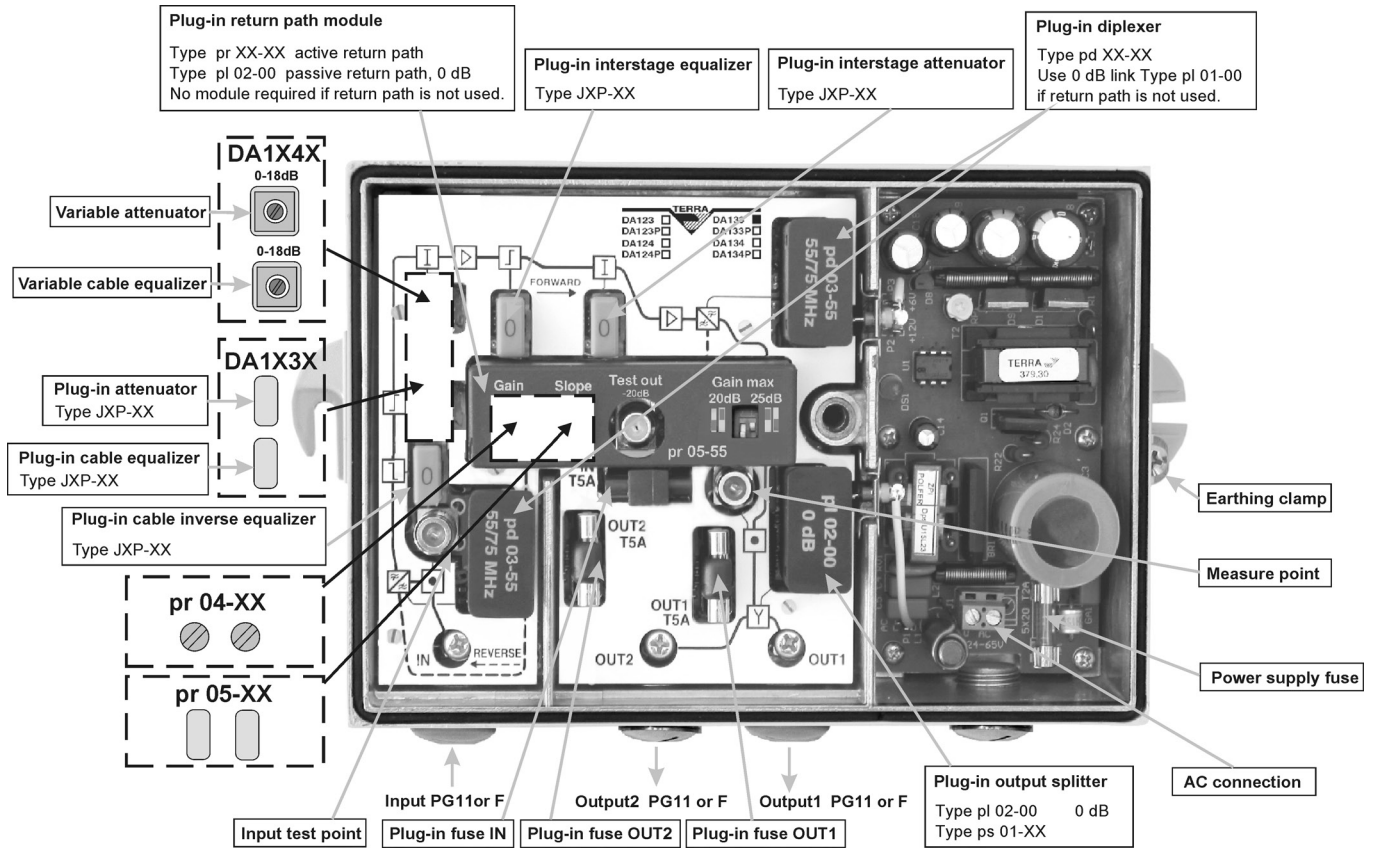
All parameters are measured with links pl 01-00 instead of return path diplexers; pl 02-00 instead of plug-in output splitter; JXP-0 instead of input attenuator, cable equalizer, cable inverse equalizer; interstage attenuator and cable equalizer.



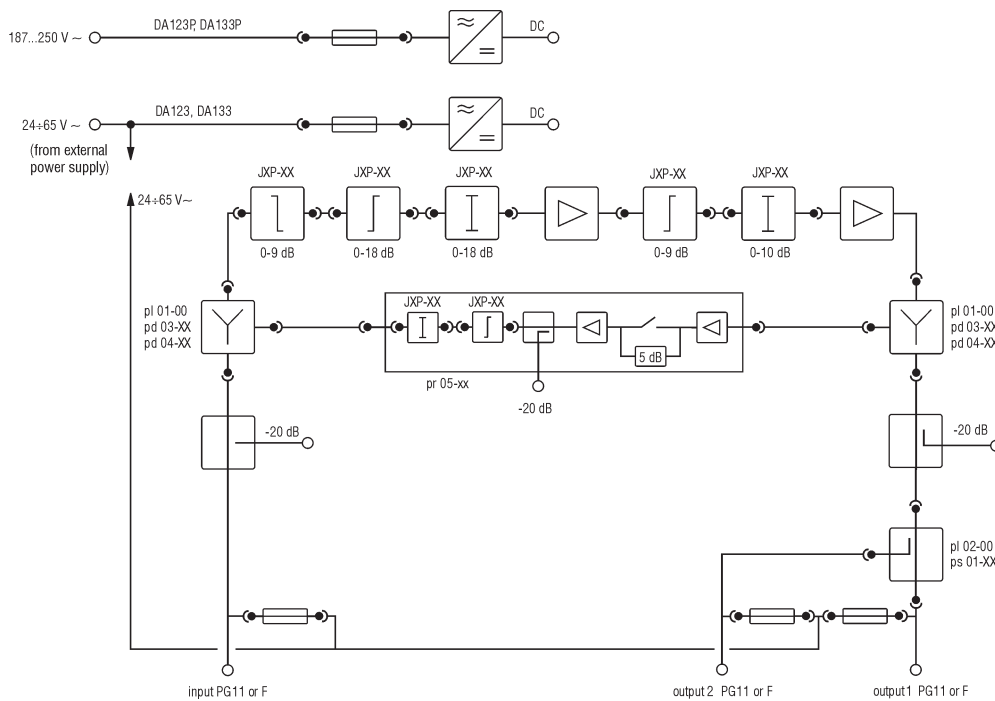


Distribution amplifiers

Line distribution amplifiers



Structure diagram of DA1X3X

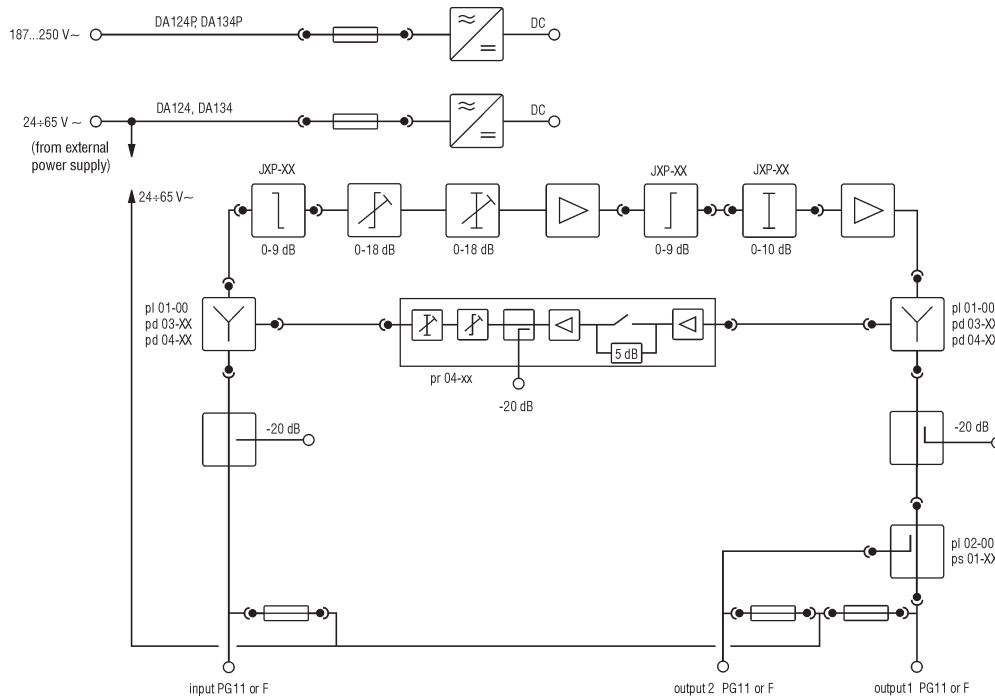




Distribution amplifiers

Line distribution amplifiers

Structure diagram of DA1X4X



Ordering notes

Band	no return path 30/47 MHz 55/75 MHz 65/87 MHz	2 x pl 01-00 2 x pd 03-30 (pd 04-30) 2 x pd 03-55 (pd 04-55) 2 x pd 03-65 (pd 04-65)
Output	0 dB output1/no output 2 3.5 dB output1/3.5 dB output2 2.0 dB output1/6.0 dB output2 1.5 dB output1/10 dB output2 1.0 dB output1/14 dB output2 0.5 dB output1/18 dB output2	pl 02-00 ps 01-03 ps 01-06 ps 01-10 ps 01-14 ps 01-18
Return path	0 dB passive 20/25 dB gain 30 MHz, variable adjustments 20/25 dB gain 55 MHz, variable adjustments 20/25 dB gain 65 MHz, variable adjustments 20/25 dB gain 30 MHz, plug-in adjustments 20/25 dB gain 55 MHz, plug-in adjustments 20/25 dB gain 65 MHz, plug-in adjustments	pl 02-00 pr 04-30 pr 04-55 pr 04-65 pr 05-30, JXP-XX pr 05-55, JXP-XX pr 05-65, JXP-XX
Input adjustments	cable simulator 0-9 dB by 1 dB step attenuator 0-20 dB by 1 dB step (for DA1X3X only) equalizer 0-20 dB by 1 dB step (for DA1X3X only)	JXP-XX JXP-XX JXP-XX
Interstage	attenuator 0-10 dB by 1 dB step equalizer 0-9 dB by 1 dB step	JXP-XX JXP-XX

Ordering number

DA123	11840
DA123-A	11886
DA123-B	11887
DA123P	11842
DA123P-A	11890
DA123P-B	11891
DA124	11841
DA124-A	11888
DA124-B	11889
DA124P	11843
DA124P-A	11892
DA124P-B	11893
DA133	11844
DA133-A	11894
DA133-B	11895
DA133P	11846
DA133P-A	11898
DA133P-B	11899
DA134	11845
DA134-A	11896
DA134-B	11897
DA134P	11847
DA134P-A	12801
DA134P-B	12802