

DCH-5200P HD 4:2:0 IRD and Processor

The DCH-5200P IRD and Processor provides operators an ideal solution for receiving, remultiplexing, descrambling and decoding operations. Equipped with a variety of inputs that ensures compatibility with all transmission media. The DCH-5200P's remultiplexing capabilities enable creation of new transport streams that are subsets of the original stream. Customized services may be output as multiple SPTS or MPTS over IP, as well as over ASI. By the dual DVB common interfaces, DCH-5200P could decrypt multiple services in one transport stream or two. DCH-5200P is also a professional IRD that features a broadcast quality decoder for MPEG-2 and MPEG-4 AVC/H.264 in both Standard Definition and High Definition formats, and provides a variety of industry standard digital and analog outputs, including CVBS video, AES/EBU Audio, analog Audio, SD-SDI and HD-SDI. The unit also performs HD down-conversion and aspect ratio adaptation of HD programs to generate professional quality baseband analog video and audio outputs for easy integration with existing cable network infrastructure. This all-in-one architecture makes the DCH-5200P an ideal product for distribution and contribution networks.

Dual DVB Common Interface and Multi Programs decryption



A variety of industry standard digital and analog outputs

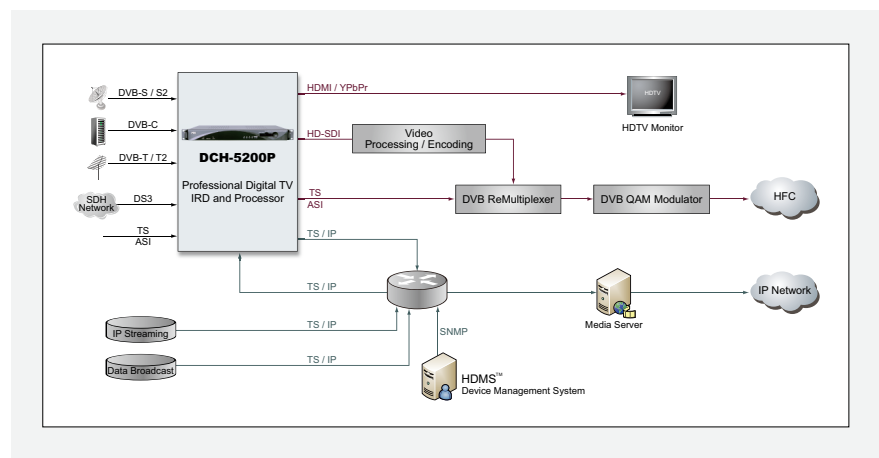


Gigabit Ethernet or Dual 100M TS/IP interface for IP based networks



Main Feature

- Variety of input options DVB-T2/S2/S/C/T/DTMB/ATSC/ISDB-T, DS3/E3, TS/IP and ASI
- Supports DVB-S2 Input Stream Identifier (ISI, optional) and DVB-T SFN MIP pass through
- Redundant backup among Tuner, ASI and TS/IP with configurable priority
- SD/HD MPEG-2 and MPEG-4 AVC/H.264 digital video decoding
- Two Audio PIDs decode or pass through (compressed) in SDI output
- Multiple Analog and Digital Outputs, ASI, CVBS, YPbPr, HDMI, SD/HD-SDI, AES/EBU Audio, TS/IP
- Built-in TS re-multiplexer receives ASI, Tuner and TS/IP Inputs
- 2×DVB-CI Slots, multi-program decryption, BISS-1 and BISS-E decryption
- Dynamic PMT detection and automatic updating
- Supports VBI TELETEXT, EBU/DVB Subtitle, Closed Caption
- UDP/RTP, Unicast/Multicast, and SPTS/MPTS over IP (full duplex, optional)
- Remote Control and Supervision by SNMP, HTTP WEB and Proprietary HDMS software
- PCM audio embedded in SDI and HDMI outputs
- PCM audio output on two AES/EBU audio output ports
- On Site software update through IP
- RSSI, received Eb/No & BER monitoring



Specification

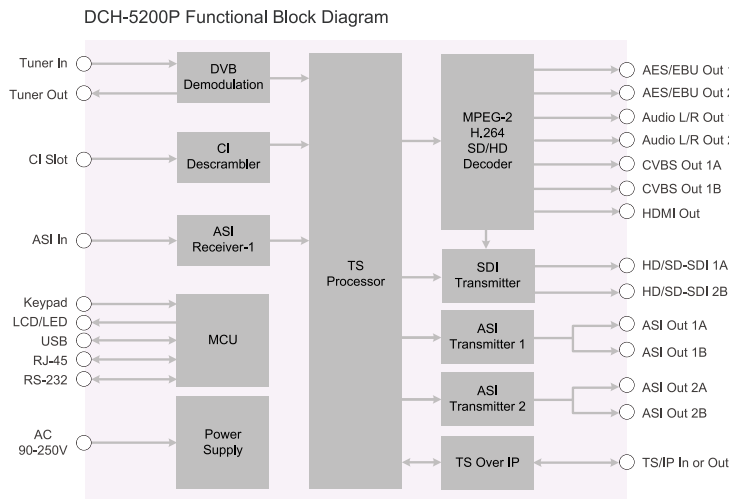
Tuner Input	
DVB-S/S2 Tuner Input (ISI Factory Optional)	
Connector Type	1×F type female 75Ω for Input, 1×F type female 75Ω for loop through output 950~2150MHz
Input Level	-25~-65dBm
Symbol Rate	2~45Mbaud
Roll-off Factor	DVB-S QPSK: 0.35
FEC Code Rate	DVB-S2 8PSK: 0.35, 0.25, 0.2
	DVB-S QPSK: 1/2, 2/3, 3/4, 5/6, 7/8
	DVB-S2 QPSK: 1/2, 3/5, 2/3, 3/4, 4/5, 5/6, 8/9,9/10
	DVB-S2 8PSK: 3/5, 2/3, 3/4, 5/6, 8/9, 9/10
LNB Polarity Selection Voltage	0, 13V, 18V selectable
LNB Band Selection Tone	0/22KHz selectable
Satellite Selection Command	DiSEqC 1.0
ISI ID	1~255 user configurable
DVB-C Tuner Input	
Connector Type	1×F type female 75Ω for Input, 1×F type female 75Ω for loop through output
Input Frequency Range	51~862MHz
Input Level	51~75dBμV
Symbol Rate	1~7Mbaud (ITU J.83 Annex A)
Constellation	16QAM, 32QAM, 64QAM, 128QAM, 256QAM
Bandwidth	6MHz, 7MHz, 8MHz
Input Return Loss	7dB (typ.)
DVB-T/T2 Tuner Input	
Connector Type	1×F type female 75Ω for Input, 1×F type female 75Ω for loop through output
Input Frequency	104 ~ 862MHz (VHF/UHF)
Input Level	-20 ~ -70dBm
Constellation	DVB-T: QPSK, 16QAM, 64QAM DVB-T2: QPSK, 16QAM, 64QAM, 256QAM
Bandwidth	6MHz, 7MHz, 8MHz
FFT Mode	DVB-T: 2K, 8K
Guarding Interval	DVB-T2: 1K, 2K, 4K, 8K, 16K, 32K
	DVB-T: 1/4, 1/8, 1/16, 1/32 DVB-T2: 1/4, 5/32, 1/8, 5/64, 1/16, 1/32, 1/64, 1/128
FEC Code Rate	DVB-T: 1/2, 2/3, 3/4, 5/6, 7/8
	DVB-T2: 1/2, 3/5, 2/3, 3/4, 4/5, 5/6
Input Return Loss	7dB (typ.)
DTMB Tuner Input	
Connector Type	1×F type female 75Ω for Input, 1×F type female 75Ω for loop through output
Input Frequency Range	46.5~866MHz
Input Level	-87~-29dBm
Symbol Rate	7.56Mbaud
Bandwidth	6MHz/7MHz/8MHz
Constellation	4QAM-NR, 4QAM, 16QAM, 32QAM, 64QAM
Guard Interval	PN420, PN595, PN945
Roll-off Factor	0.05
Interleaving Depth	240,720
FEC Code Rate	0.4, 0.6, 0.8
ATSC Tuner Input	
Connector Type	1×F type female 75Ω for Input, 1×F type female 75Ω for loop through output
Input Frequency Range	54~864MHz
Input Level	-75~-7dBm(ATSC 8VSB)
Symbol Rate	10.762Mbaud
Constellation	8VSB
Roll-off Factor	0.115
Bandwidth	6MHZ
ASI Input	
Connector Type	2×BNC female, 75Ω
Standard	DVB-ASI, EN50083-9
Input Bit Rate	≤ 100Mb/s

DS3 Input (Option)	
Connector Type	2×BNC female, 75Ω, including loop through
Standard	Compliant with ITU-T G.703
Frame Structure	Compliant with ITU-T G.752 and ITU-T G.804
Bit Rate	44.736Mb/s
TS over IP	
Connector Type	1×RJ-45, 10/100 Base-T or 100/1000 Base-T for TS/IP
Effective Bit Rate	70Mb/s for 10/100/1000 Base-T
Protocol	UDP / RTP, Multicast / Unicast, IGMPv3, ARP
FEC	SMPTE 2022M (Pro-MPEG) FEC (for GbE only)
Operating mode & Effective Bit Rate	1: full duplex, Support Pro MPEG FEC, Backup 1+1, Max 80Mb/s
	2: 4-CH DVB mode output, Max 200Mb/s, Spare mirror output
	3: 32-CH IPTV mode output, Total 500Mb/s, Spare mirror output
TS Processing	
TS Input Management	Demux and Remux among Tuner / DS3(optional) / E3 (optional), ASI and TS/IP Inputs
TS Output Management	Demux and Remux for 2 independent ASI outputs
Service and PID Management	Remux, filtering and remapping PSI/SI table regeneration, NIT and SDT edition, LCN Edition and Re-generation
PSI/SI	DVB Common Scrambling Algorithm (CSA)
Descrambler	BISS-1, BISS-E
BISS Mode	Double PCMCIA slots, compatible with major CA CAMs in the market
Common Interface	
ASI Output	
Connector Type	2 pairs of BNC female, 75Ω
Standard	DVB-ASI, EN50083-9
Output Bit Rate	≤ 99Mb/s
TS Processing	2 Independent TS Re-multiplexed from tuner, TS/IP and 2 ASI inputs
HDMI Output	
Standard	1×HDMI 1.3 interface (up to 1080i)
Video Resolution and Frame Rate	1080i×30, 1080i×29.97, 1080×25, 720p×60, 720p×59.94, 720p×50, 480p×60, 576p×50, 576i×25, 480i×29.97
Audio Embedded	2×stereo or Digital Audio pass through
Digital Video Processing	
Video Standard	MPEG-2(MP@ ML for SD, MP@HL for HD) MPEG 4/H.264 AVC Part 10 (MP@L3 for SD, HP@L4.1 for HD)
SDI Video Resolution	1080i×30, 1080i×29.97, 1080i×25, 720p×60, 720p×59.94, 720p×50, 576i×25, 480i×29.97
Video PID Bit Rate	< 80Mb/s
HD/SD-SDI Output	
Connector Type	1 pair of BNCs (mirrored) , female, 75Ω
SD Standard	SMPTE 259M, 270 Mb/s (10bit)
HD Standard	SMPTE 292M, 1.485 Gbit/s (10bit)
Level	800mV p-p
Digital Audio Processing	
Connector Type	2×D-sub 9 male with XLR adaptor cables
Number of Output	2×audios are decoded or passed through
Audio Sampling Rate	32, 44.1 and 48 KHz
Audio Bit Rate	32, 64, 96, 128, 160, 192, 224, 256, 288, 320, 352, 384, 416 and 448 Kb/s for MPEG-1 Layer I, 32, 48, 56, 64, 80, 96, 112, 128, 160, 192, 224, 256, 320 and 384 Kb/s for MPEG-1 Layer II

Nominal Output Level	1V p-p (with standard test stream)
Output Format	AES/EBU
Load Impedance	110Ω (with XLR adaptor cables)
Analog Video Output	
CVBS Connector	1×BNC female 75Ω
CVBS Standard	NTSC, PAL, and SECAM
CVBS Resolution	576i×25, 480i×29.97
Nominal Output Level	1.0 Vp-p±5% (with standard test stream)
Frequency Response	<±1 dB, at 5.5 MHz for PAL/SECAM, 4.2MHz for NTSC
Chroma-Luma Delay	<±30 ns
Field Time Distortion	<2%
Line Time Distortion	<1%
Short Time Distortion	<2%
Differential Gain	<3%
Differential Phase	<2°
Signal to Noise Ratio	>55dB (luminance weighted)
Analog Audio Output	
Connector Type	2×D-sub 9 male, with XLR adaptor cable
Output Impedance	600Ω (balanced)
Output Mode	Left, Right, Dual Mono, Stereo
Number of Output	2 pairs of stereo audio outputs (2 Audio PIDs or 4 channels are decoded).
Cross Talk Among Channels	>70dB
THD	<0.3% @ 400Hz, 1KHz test tone
Frequency Response	±0.5dB over 20Hz ~ 18KHz
Output Level	0dBm in 600Ω (0dBu), adjustable range ±10dB

Ancillary Data Processing	
Subtitle	DVB, EBU
VBI	Teletext, WSS
Closed Caption	EIA 608, EIA 708, EIA 608-to-708
Redundancy	
Redundancy Port	among Tuner, ASI input and TS/IP input
Switching Condition	TS Sync Loss
Switching Mode	Main, Spare
Control & Monitoring	
Connector Type	1×RJ-45, 10/100 Base-T, for equipment IP Control SNMP, HTTP (Web Interface), Proprietary HDMS (Headend Device Management System)
Remote Control	LCD display and 6-key keypad
Local Control	1×RS-232 D-sub female, for debug use only
Serial Port	Embedded FTP loader and Telnet
Equipment Upgrade	44mm×483mm×255mm
Physical	
Dimension	3.4Kg Net, 5.4Kg Gross
Weight	AC 90V~250V, 50/60Hz
Power Supply	24W (exclusive of LNB power)
Power Consumption	0~45°C
Operating temperature	-10~60°C
Storage temperature	10~90%, non-condensed
Operating Humidity	
Certification	
EMC: EN 55024:1998+A1:2001+A2:2003, EN 55022:2006+A1:2007, EN 61000-3-2:2006, EN 61000-3-3:2008	
FCC: Part 15 Class B	
LVD: EN 60950-1:2006 + A11:2009	

Block Diagram



Order Information

Model		DCH-5200P			
Interface		-20X	-22X	-30X	-32X
Tuner Input		● Input signal: DVB-S2, DVB-T2, ISDB, ATSC, DTMB, DS3 Standard configuration: X=S2			
TS Input	ASI In x2	●	●	●	●
TS Output	ASI Out 2x2	●	●	●	●
CI	CI x2	●	●	●	●
Video/Audio Output	SD SDI	●	●	●	●
	HD SDI			●	●
	HDMI x1	●	●	●	●
	CVBS x1	●	●	●	●
TS/IP	Audio1	●	●	●	●
	Audio 2	●	●	●	●
TS/IP	GbE RJ45 x1		●	●	●
Upgrade	USB x2	●	●	●	●
Management	RJ45 x1	●	●	●	●
ALARM/RELAY	1*D9	●	●	●	●

Back panel Interface (Full option)

