



NDS3107F

Tuner Input Multiplexer



Key Features

- 4 Tuner(2 DVB-S2 and 2 DVB-(T))+2 ASI input ports
- Support BISS descrambling
- 2 separated ASI and 2 IP (MPTS) output
- Integrated demodulating and multiplexing functions
- Support accurate PCR adjusting/PID filtering, re-mapping/ PSI/SI rebuilding and editing
- Support MPTS over UDP, RTP/RTSP output as mirror of ASI output (RJ45)
- Huge buffer memory for saving the overflowing code stream
- Supporting to multiplex one program to all outputs
- Alarming function
- LCD/keyboard and Web-based NMS management



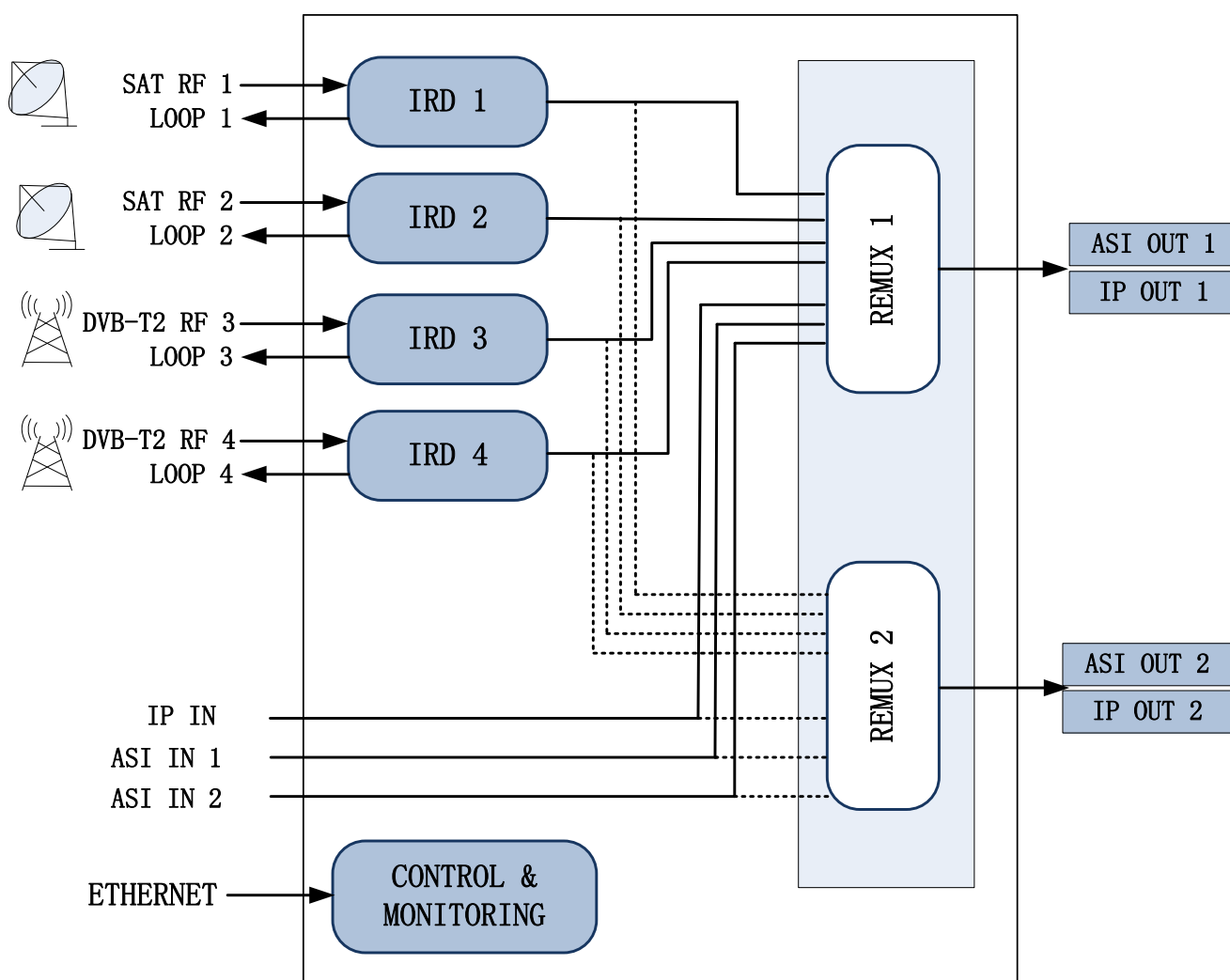
All the specifications are subject to change without any further notice. All rights reserved.

Add: No. 10 & No. 12, Wuxing Fourth Road, Wuhou District, Chengdu 610045, Sichuan, P.R. China
www.dsdvb.com/English Tel: +86-028-85558928 Fax: +86-028-85585255 Email: sunyu@dsdvb.com

Product Introduction

NDS3107F DVB-S2/(T) Tuner Input Multiplexer is the latest demodulation and multiplexing device for digital TV broadcasting head-end system with TS output through ASI and IP port. It equipped with 2 groups separate ASI ports and 1 IP port. It can multiplex up to 4 channels Tuner and 2 ASI and 1 IP input to two MPTS. This multiplexer has the functions of supporting auto-generation of PSI/SI information, PID re-mapping, service filtering and PCR adjusting. NDS3107F is output modulated signals can to be received by TVs, STB and etc.

Principle Chart



Technical Specifications

Input interface	2 DVB-S2 tuners +2 DVB-(T) tuners+2 ASI+1 IP(UDP&RTP)	
Re-multiplex	PID re-mapping	
	PCR accurate adjusting	
	Automatic generating PSI/SI table	
Input	Packet format	204/188 self-adaption
Descrambling	BISS Mode	Mode 1, Mode E;
Output port	ASI	2 * ASI output (Max180Mbps)
	IP	MPTS over UDP, 1000 Mbps Ethernet
PID	Output range	0x0000—0x1FFF
	PID transparent	Any PID transparent and mapping achievable
	Amount of output PID per output	512
NMS port	Ethernet port	100/1000M
System	Local interface	LCD + control buttons
	Remote management	Web-server Management
	Language	English
	Upgrade	USB, web management
General	Demission	482mm×300mm×44mm (WxLxH)
	Weight	3.5kg
	Temperature	0~45℃(operation), -20~80℃(storage)
	Power supply	AC 110V±10%, 50/60Hz Or AC 220V±10%, 50/60Hz
	Consumption	18W